

## Learning Services

# Implementing an Integrated Threat Defense Solution



Implementing an Integrated Threat Defense Solution (SECUR201) is an instructor-led, lab-based, hands-on course offered by Cisco<sup>®</sup> Learning Services. This course is part of a series of Cisco security solutions courses designed to help businesses implement and operate their Cisco Integrated Threat Defense solution.

This lab-intensive course introduces you to Cisco's Integrated Threat Defense solution with a focus on product integration. The skills you will learn include:

- Integration of solution components with existing network services
- Integration of solution components with the pxGrid framework
- Integration of network- and endpoint-based malware protection
- Observation of security data flow after introduction of malware

The course begins with an analysis of the current cybersecurity landscape and includes details on why networks today need an integrated threat defense architecture. You will integrate and verify proper operation of the key Cisco Integrated Threat Defense products, including Cisco Identity Services Engine (ISE), Cisco Stealthwatch<sup>®</sup>, Cisco Firepower<sup>®</sup> NGFW, and Cisco AMP for Endpoints. Verification includes the introduction of malware into the network to ensure proper identification, analysis, and quarantine.

This course combines lecture materials and hands-on labs that give you practice in configuring the solution integrations.

### Duration

2-day instructor-led training, 2.5-day virtual instructor-led training

---

## Target Audience

This course is designed for technical professionals who need to know how to deploy a Cisco Integrated Threat Defense solution in their network environment.

The primary audience for this course includes:

- Systems and network engineers
- Technical architects
- Technical support personnel
- Channel partners and resellers

## Course Objectives *No labs for the highlighted section. Covers only theoretical concepts.*

After completing this course, you should be able to:

- Describe the current network security landscape and the Cisco Integrated Threat Defense (ITD) solution
- Describe the key components of the ITD solution and their use in the network
- Configure the ISE for a baseline of operation in the ITD solution
- Configure the integration between the Stealthwatch and ISE platforms
- Configure the integration between the Cisco Firepower and ISE platforms
- **Configure the integration between Cisco Firepower and AMP for Endpoints**

## Course Prerequisites

Cisco recommends that you have the following knowledge and skills before taking this course:

- Technical understanding of TCP/IP networking and network architecture
- Technical understanding of security concepts and protocols
- Familiarity with Cisco ISE, Stealthwatch, Firepower, and AMP is an advantage

## Course Outline

- Module 1: Integrated Threat Defense Introduction
- Module 2: ITD Products
- Module 3: Identity Services Engine Setup
- Module 4: Integration of Stealthwatch with Identity Services Engine
- Module 5: Integration of Firepower with Identity Services Engine
- **Module 6 Integration of Firepower with AMP for Endpoints**

## Lab Outline

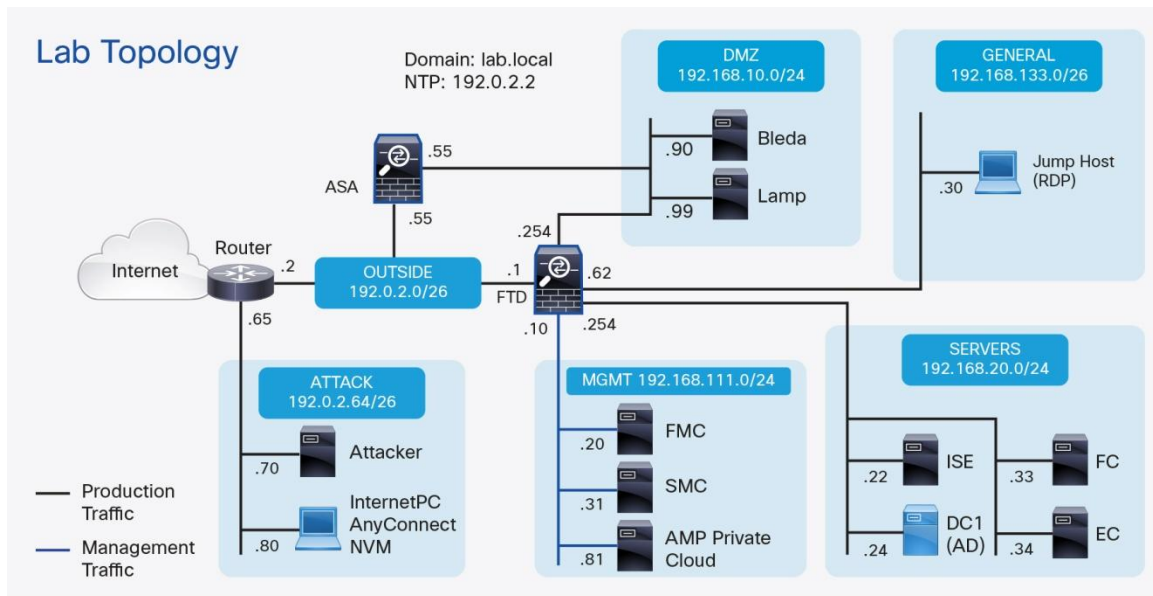
- Lab 1: Connecting to the Lab Environment
- Lab 2: Integrating ISE and Active Directory
- Lab 3: ISE and ASA Integration
- Lab 4: Configuring pxGrid and Client Certificates
- Lab 5: Integrating Stealthwatch with Identity Services Engine

- Lab 6: Integrating NVM with AnyConnect®
- Lab 7: Integrating Firepower with Identity Services Engine
- Lab 8: Integrating AMP for Endpoints with Firepower

## Lab Topology

Figure 1 outlines the lab topology for this course.

**Figure 1.** Topology for All Labs



## Registration Email

For more information about schedules and registration for this course, contact [aeskt\\_registration@cisco.com](mailto:aeskt_registration@cisco.com).

## Cisco Capital Financing Helps You Achieve Your Objectives

Cisco Capital® financing can help you acquire the technology you need to achieve your objectives and stay competitive. We can help you reduce capital expenditures (CapEx), accelerate your growth, and optimize your investment dollars and ROI. Cisco Capital financing gives you flexibility in acquiring hardware, software, services, and complementary third-party equipment. And there's just one predictable payment. Cisco Capital financing is available in more than 100 countries. [Learn more.](#)

## Website Addresses for More Information

For more information, visit the following websites:

- Cisco Learning Services for Cisco products and technologies: <http://www.cisco.com/go/cls>
- Security training: <http://www.cisco.com/c/en/us/training-events/resources/learning-services/technology/security.html>
- Data center training: <http://www.cisco.com/c/en/us/training-events/resources/learning-services/technology/data-center.html>

- 
- Network management training: <http://www.cisco.com/c/en/us/training-events/resources/learning-services/technology/network-management.html>
  - Optical networking training: <http://www.cisco.com/c/en/us/training-events/resources/learning-services/technology/optical.html>
  - Service provider mobility training: <http://www.cisco.com/c/en/us/training-events/resources/learning-services/technology/mobile.html>
  - Routing training for service providers: <http://www.cisco.com/c/en/us/training-events/resources/learning-services/technology/service-provider-routing.html>
  - Broadband video training for service providers: <http://www.cisco.com/c/en/us/training-events/resources/learning-services/technology/service-provider-video.html>




---

Americas Headquarters  
Cisco Systems, Inc.  
San Jose, CA

Asia Pacific Headquarters  
Cisco Systems (USA) Pte. Ltd.  
Singapore

Europe Headquarters  
Cisco Systems International BV Amsterdam,  
The Netherlands

Cisco has more than 200 offices worldwide. Addresses, phone numbers, and fax numbers are listed on the Cisco Website at [www.cisco.com/go/offices](http://www.cisco.com/go/offices).

 Cisco and the Cisco logo are trademarks or registered trademarks of Cisco and/or its affiliates in the U.S. and other countries. To view a list of Cisco trademarks, go to this URL: [www.cisco.com/go/trademarks](http://www.cisco.com/go/trademarks). Third party trademarks mentioned are the property of their respective owners. The use of the word partner does not imply a partnership relationship between Cisco and any other company. (1110R)